

MODEL-TYPE-CODE & SERIAL NUMBER LOCATIONS (CLICK ON YOUR ENGINE TYPE)



SMALL LAWN MOWER ENGINES



RIDE ON LAWN MOWER ENGINES



SMALL UTILITY ENGINES



LARGE COMMERCIAL UTILITY ENGINES



BRIGGS & STRATTON
CORPORATION

[For historic engines click here.](#)

YOU.POWERED.



SMALL LAWN MOWER ENGINES (CLICK ON YOUR ENGINE BELOW)



**450E
(OHV)**



**450-550
(L-HEAD)**



**500E-575EX
(OHV)**



**600E - 675EX
(L-HEAD)**



**600EX-675EXi
(OHV)**



**750EX - 775EX
(DOV)**



**INTEK &
INTEK PRO**



**825EX - 875 EXi
(OHV)**



**850EX - 875EX
(OHV pre Oct. 2017)**





RIDE ON LAWN MOWER ENGINES (CLICK ON YOUR ENGINE BELOW)





SMALL UTILITY ENGINES (CLICK ON YOUR ENGINE BELOW)



**INTEK, INTEK-PRO
& POWERBUILT**



**VANGUARD 6.5HP,
8HP & 10HP PRE-2018**



**VANGUARD 6.5HP
AFTER 2018**



VANGUARD 13HP





LARGE COMMERCIAL UTILITY ENGINES (CLICK ON YOUR ENGINE BELOW)



**VANGUARD V-TWIN
SMALL BLOCK 14-23HP**



**VANGUARD V-TWIN
SMALL BLOCK 14-23HP**



**VANGUARD V-TWIN
BIG BLOCK 27-40HP**



**VANGUARD V-TWIN
BIG BLOCK 27-40HP**



BRIGGS & STRATTON
CORPORATION

[For historic engines click here.](#)

YOU.POWERED.



450E - OHV





450 – 550 (L-HEAD)



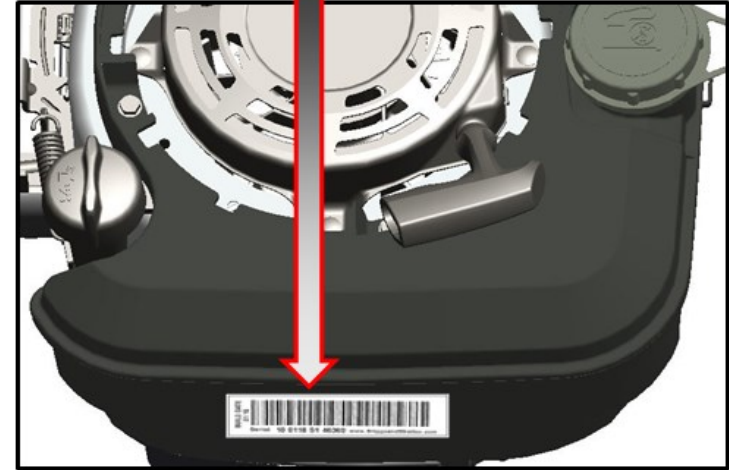


550 – 575 EX (OHV)





600-675EX (L-HEAD QUANTUM)



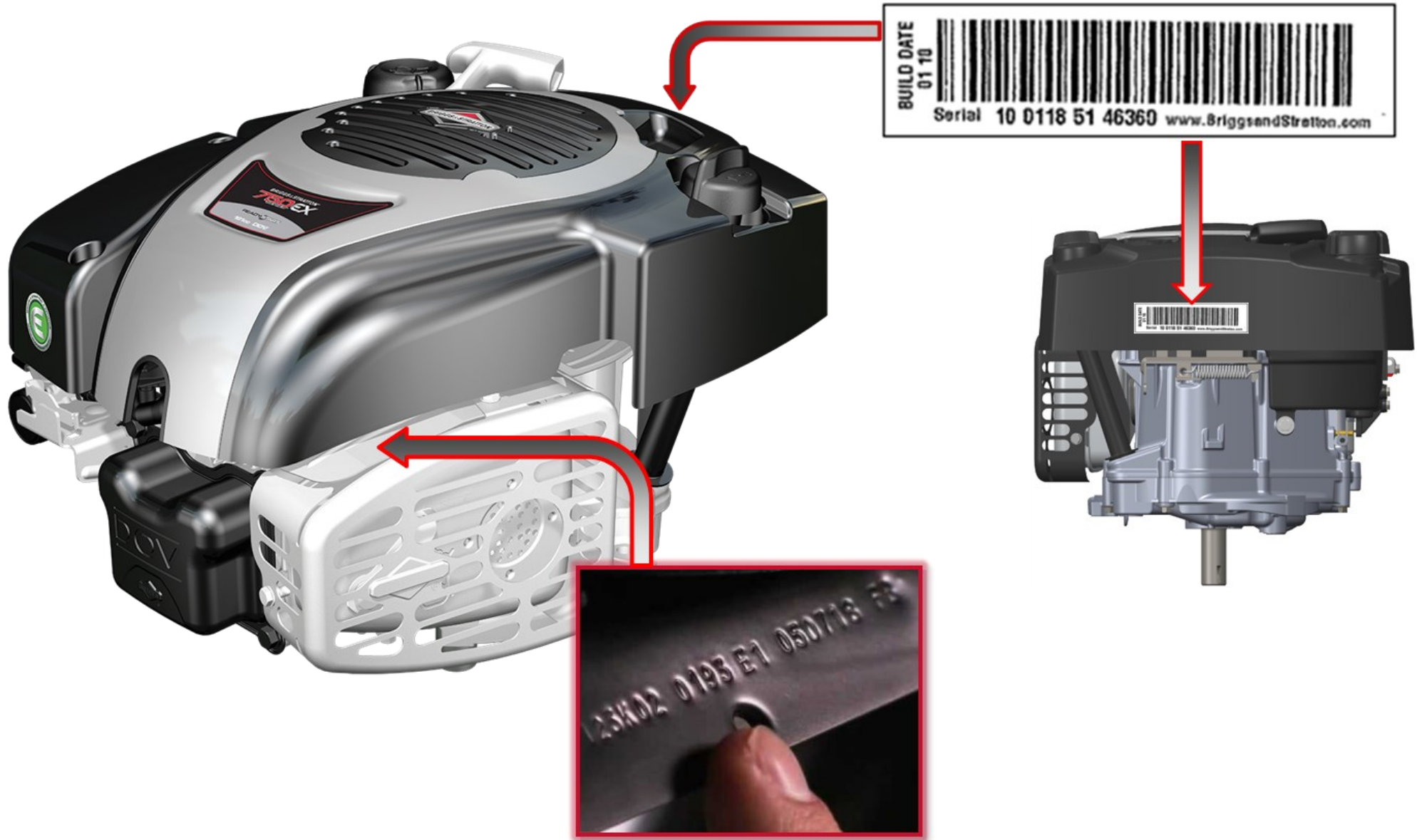


675EXI (OHV)





750 – 775EX (DOV)



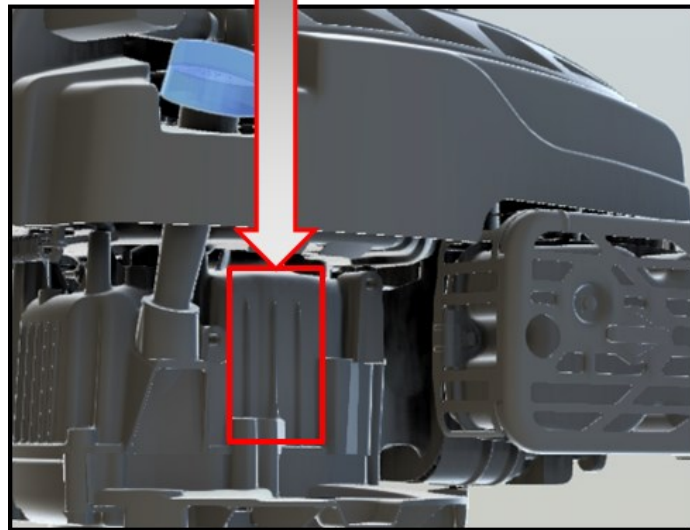


850 INTEK



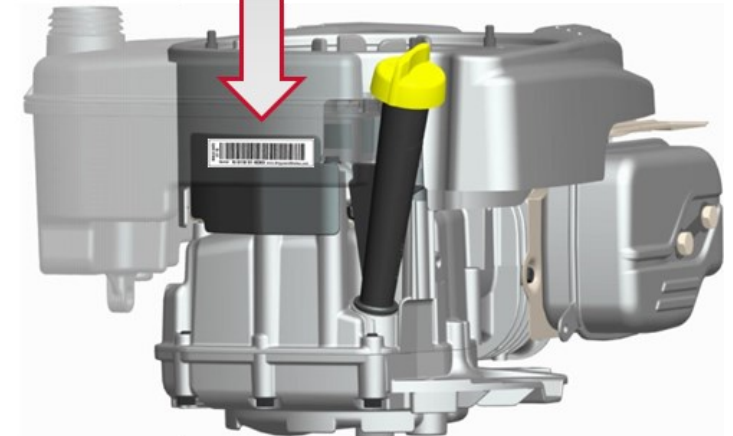


850 – 875EX (NEW, AFTER OCT 17)





850-875ex (OHV PRE OCT 2017)





SINGLE CYLINDER LARGE VERTICAL ENGINE (OHV)



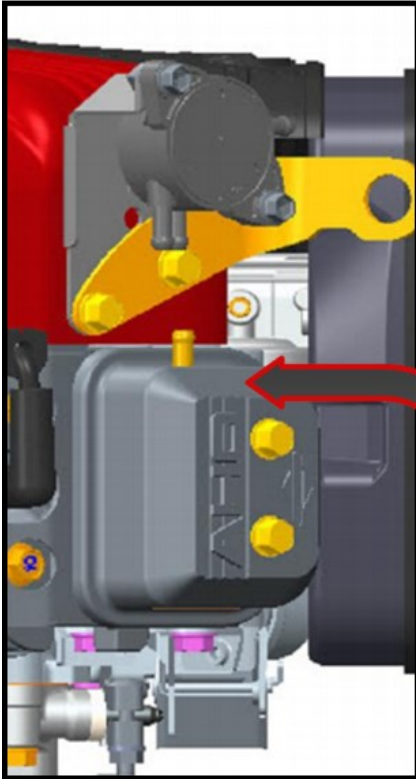


V-TWIN CYLINDER OHV 7 & 8 SERIES, INTEK™, PROFFESIONAL SERIES™ & COMMERCIAL SERIES™





VANGUARD V-TWIN VERTICAL SHAFT OHV 16 – 23 HP



BRIGGS & STRATTON
CORPORATION

YOU.POWERED.

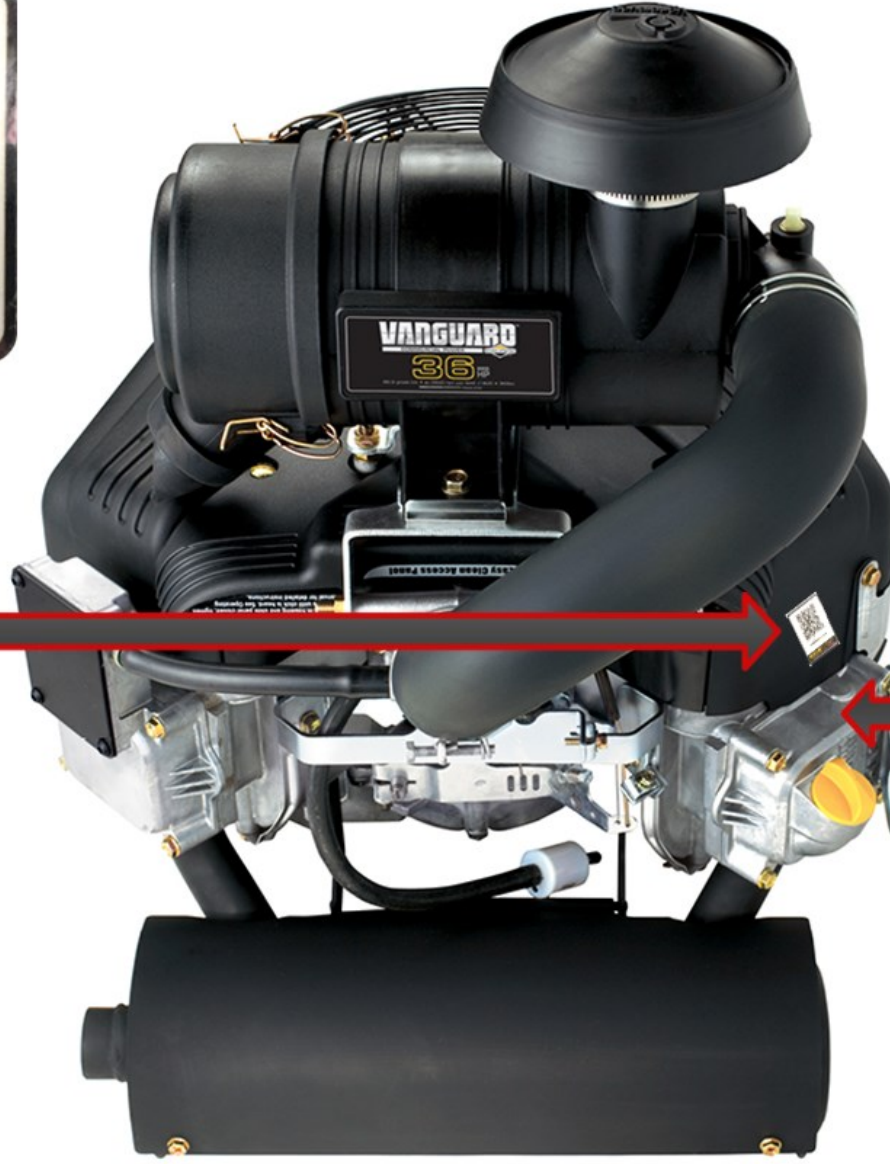


VANGUARD V-TWIN 810cc VERTICAL SHAFT OHV





VANGUARD V-TWIN BIG BLOCK 28-40HP

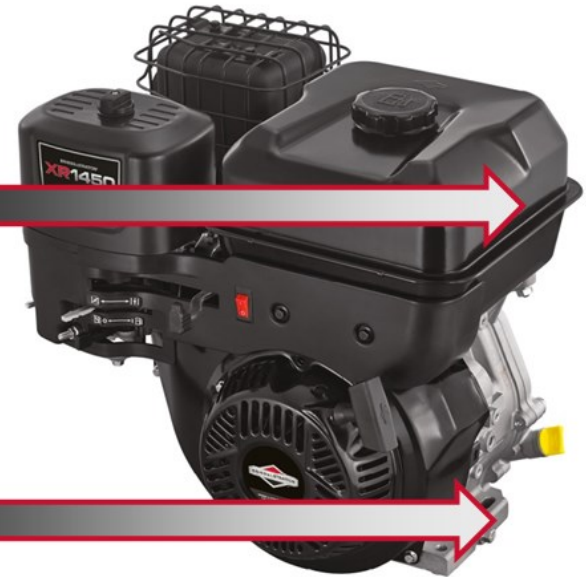


BRIGGS & STRATTON
CORPORATION

YOU.POWERED.

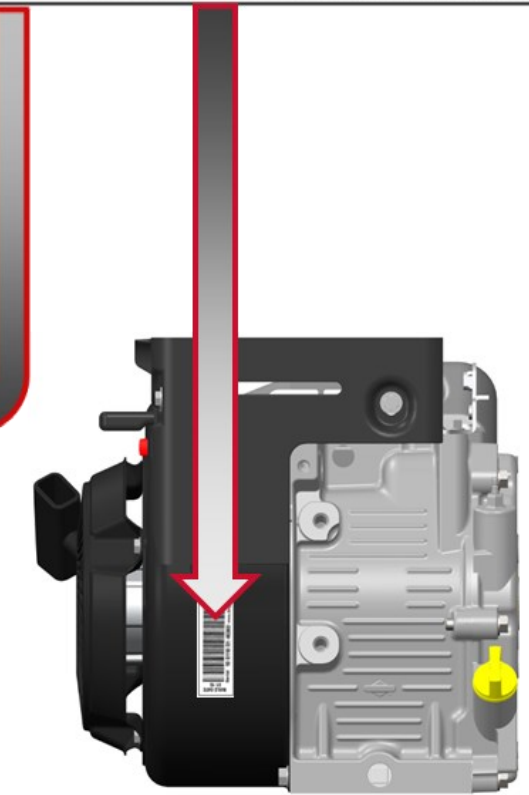


CR 750 & 950, XR550, XR750 XR 950 XR1450 XR2100 & SERIES ENGINES





INTEK, INTEK PRO , I/C OHV & POWERBUILT

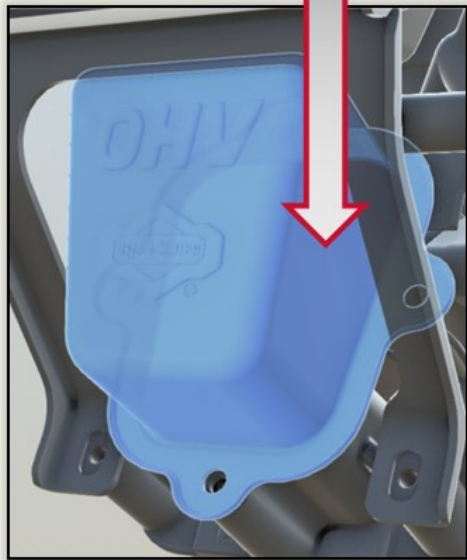
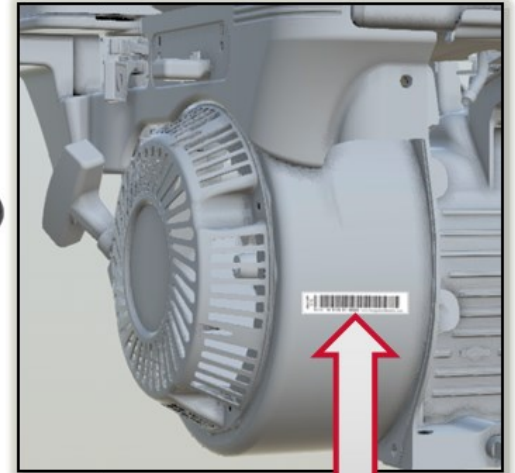


BRIGGS & STRATTON CORPORATION

YOU.POWERED.



6.5HP, 8 HP & 10HP OHV VANGUARD ENGINES



BRIGGS & STRATTON
CORPORATION

YOU.POWERED.



VANGUARD 6.5HP



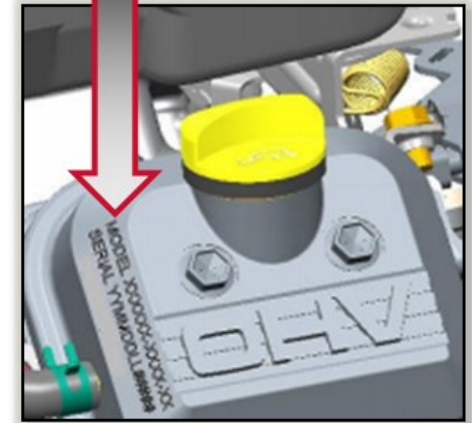


VANGUARD 13HP



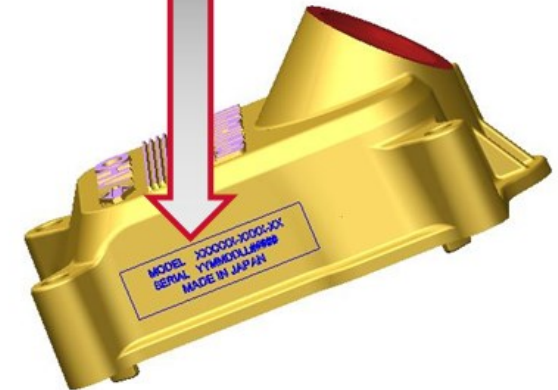
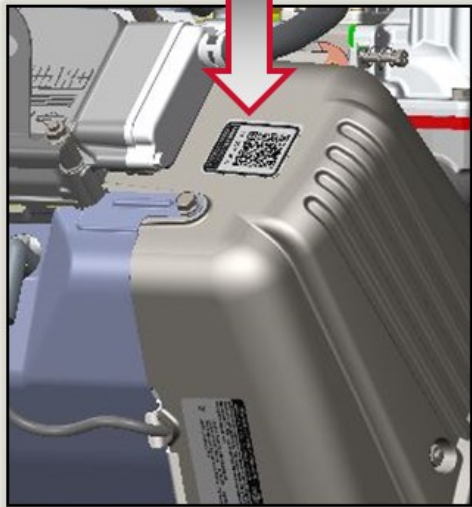


VANGUARD V-TWIN HORIZONTAL SHAFT SMALL BLOCK 14 - 23 HP





VANGUARD V-TWIN HORIZONTAL SHAFT BIG BLOCK 31 - 40 HP



BRIGGS & STRATTON
CORPORATION

YOU.POWERED.

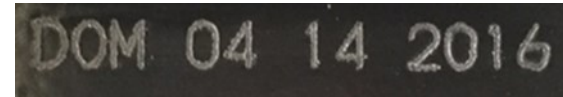
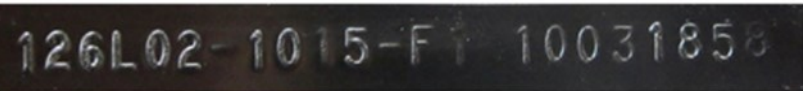


Help – What are these number for?



Model – Type – Code

Model-type-code is a number that is stamped into every Briggs & Stratton engine. This set of numbers is required to identify spare parts and gather technical information for repair purposes..Eg; Valve Clearances and torque settings. The model-type number outlines engine features and the code provides a date the engine was built.



Model	Type	Code
126L02	1015 - F1	10031856 YYMMDDXX

Some engines do not feature a “code” to show the production date. Instead they display DOM mm dd yyyy as above.



Serial Number

All engines now feature a serial number that is required to process warranty claims after repair. The serial number can be found on a barcode decal.



Power Code

Vanguard engines now feature a QR code/ serial number that can be scanned with a smartphone. This number is also required for processing warranty claims after repair. The QR code can be scanned to present engine parts lists, features and operators manuals on www.vanguardengines.com.





Historic Engines

